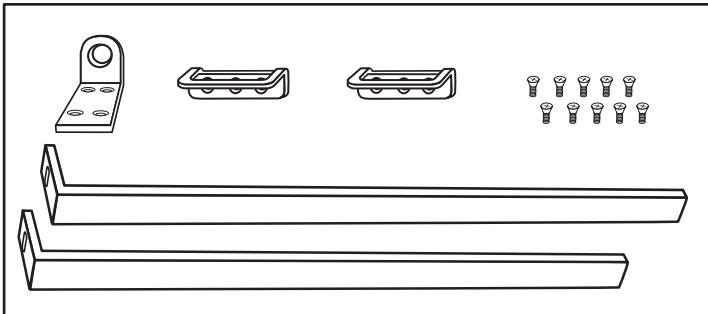


Instructions



Steel Security Locking Bars

No. SLB-44 & SLB-45



INSTRUCTIONS

The Keeper (No. 1) is attached to the top of the cabinet (see Fig. A). The bracket (No. 2) is attached to the shelf between the drawers or bottom.

1. Find the center point of the cabinet at the base and attach the Bracket. Then slide the bar through the cabinet handles and into the Bracket, to help locate the proper position for the Keeper. Slip the Keeper under the bar and through the slot in the bar. Push the Keeper toward the back as far as possible and pencil mark its position. At all times, the bar is kept as close to the center as possible (see Fig. B). This will avoid any possible binding when in use.
2. There should not be any back-and-forth play in the bar after it is seated on the Keeper. If there is any play, and the drawers can be pulled out - even a fraction of an inch, the Keeper must be set back a little more. If the bar has no play, put in the remainder of the screws (see Fig. B).
3. After the Bracket and Keeper are properly attached, slide the bar down the front of the cabinet, slipping another Bracket onto the bar and to its approximate location. Push the bar all the way down to the Keeper. This will make it easy to mark the location for the Bracket (see Fig. A).
4. All screws must be used for best results. If the bar is a little too long, cut the bottom end to the correct length.

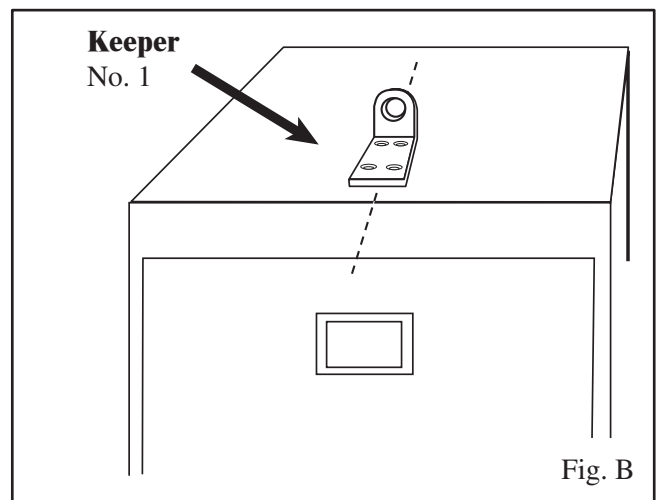
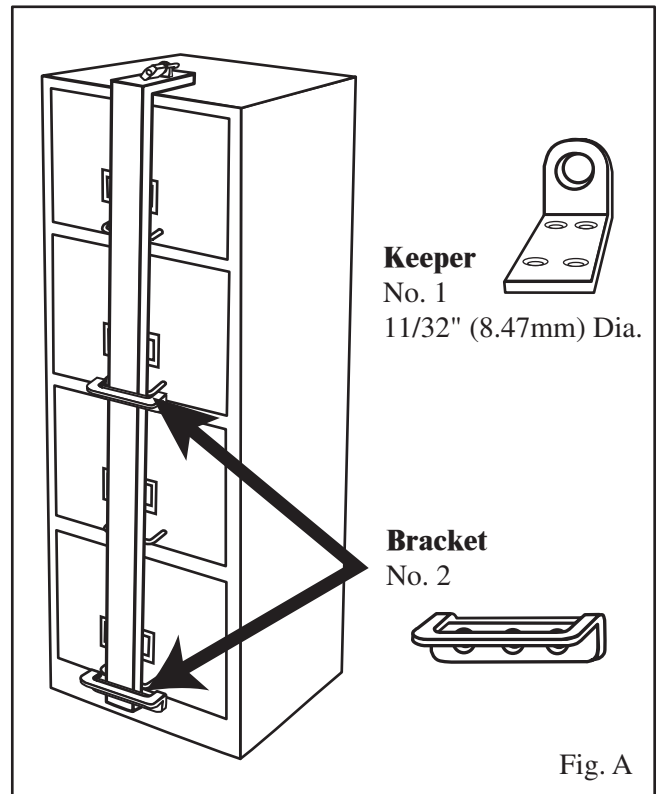
Contents of Hardware Packs

SLB-44 (4 Drawer)

Qty.	Item
1	No. 1 Keeper
2	No. 2 Bracket
10	No. 6 x 3/8" Pan Head Sheet Metal Screws

SLB-45 (5 Drawer)

Qty.	Item
1	No. 1 Keeper
3	No. 2 Bracket
13	No. 6 x 3/8" Pan Head Sheet Metal Screws



121906 35T00-086-00